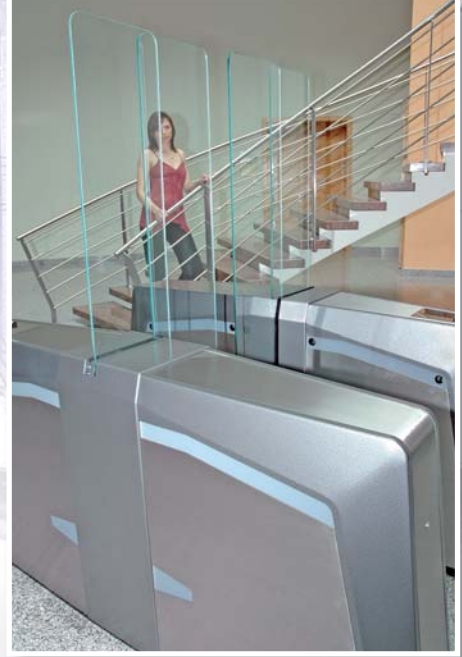


EASYGATE

designed by cominfo Inc.



20 19 18 17 16 15 14 13 12 11 10 9 8 7 6 5 4 3 2 1 0 1 2 3 4 5 6 7 8 9 10 11 12 13 14 15 16 17 18 19 20 21



20 19 18 17 16 15 14 13 12 11 10 9 8 7 6 5 4 3 2 1 0 1 2 3 4 5 6 7 8 9 10 11 12 13 14 15 16 17 18

COMINFO, a.s., Lešetín II/651, 76001 Zlín, Czech Republic, telefon: +420 577 618 240, fax: +420 577 618 239, e-mail: cominfo@cominfo.cz

www.cominfo.cz

DRIVE UNIT:
MATERIALS:

MOTORIZED
FRAME: PAINTED KOMAX, RAL COLOUR FINISH
INLAY: 304 GRADE BRUSHED STAINLESS STEEL
WING PANEL: 8 MM TEMPERED GLASS (1200MM, 1800MM)
SIDE PANEL: 304 GRADE BRUSHED STAINLESS STEEL



FUNCTION:

PASSAGE IN BOTH DIRECTIONS, ELECTRONICALLY CONTROLLED.
A SIGNAL FROM ACCESS CONTROL OR IDENTIFICATION SYSTEM OR PUSH BUTTON WILL OPEN THE GATE. INAUTHORIZED ACCESS BY TAILGATING, ENTERING WITHOUT VALID IDENTIFICATION CARD OR ENTERING FROM OPPOSITE DIRECTION ACTIVATES THE BUILT-IN ALARM SYSTEM

OPERATION MODES:

NORMALLY OPEN (N/O)
• ALWAYS OPEN WALKWAY IN STANDBY POSITION AND IT CLOSE ONLY AT UNAUTHORIZED ENTRY OR TAILGATING
NORMALLY CLOSED (N/C)
• ALWAYS CLOSED WALKWAY IN STANDBY POSITION AND IT OPENS IN CASE THE ACCESS AUTHORIZATION IS POSSITIVE

SAFETY DEVICE:

7 PHOTOCELLS TO DETECT UNAUTHORIZED ACCESS OR TAILGATING AND PREVENT FROM PERSONAL INJURY
INTELLIGENT ELECTRONICS DETECTING AN OBSTRUCTION AND REVERSING THE MOTION.

POWER FAILURE:

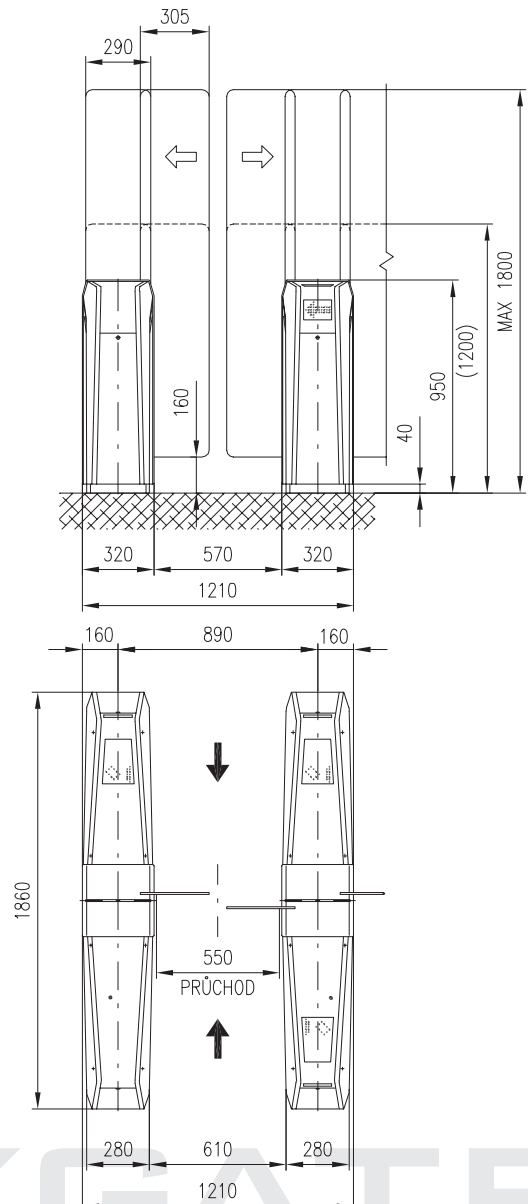
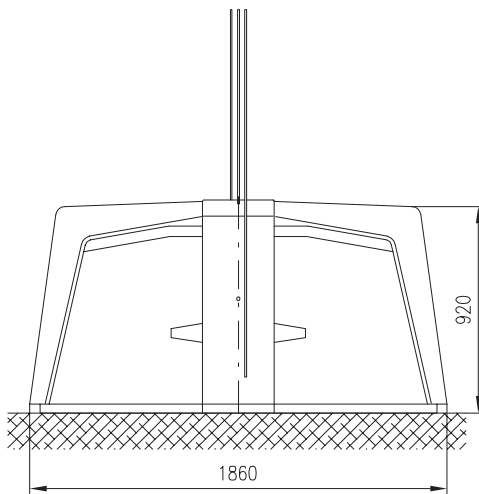
IN CASE CASE OF POWER FAILURE THE PANELS EITHER REMAINS IN THE CURRENT POSITION OR THEY CAN BE MANUALLY OPENED

FIRE ALARM:

INPUT CONTACTS FOR VOLTAGE FREE SIGNAL TO ACTIVATE FAIL-SAFE FUNCTION (AUTOMATIC GATE OPENING FOR FAST EVACUATION)

POWER SUPPLY:

230V AC, 50Hz (EXTERNAL POWER SUPPLY)
BACK-UP ACCUMULATOR (OPTIONAL)



MOTOR AND LOGIC VOLTAGE: 12V DC
ACCESSORIES:

- BATTERY BACK-UP
- CARD READER MOUNTING
- PUSH BUTTON CONTROL

